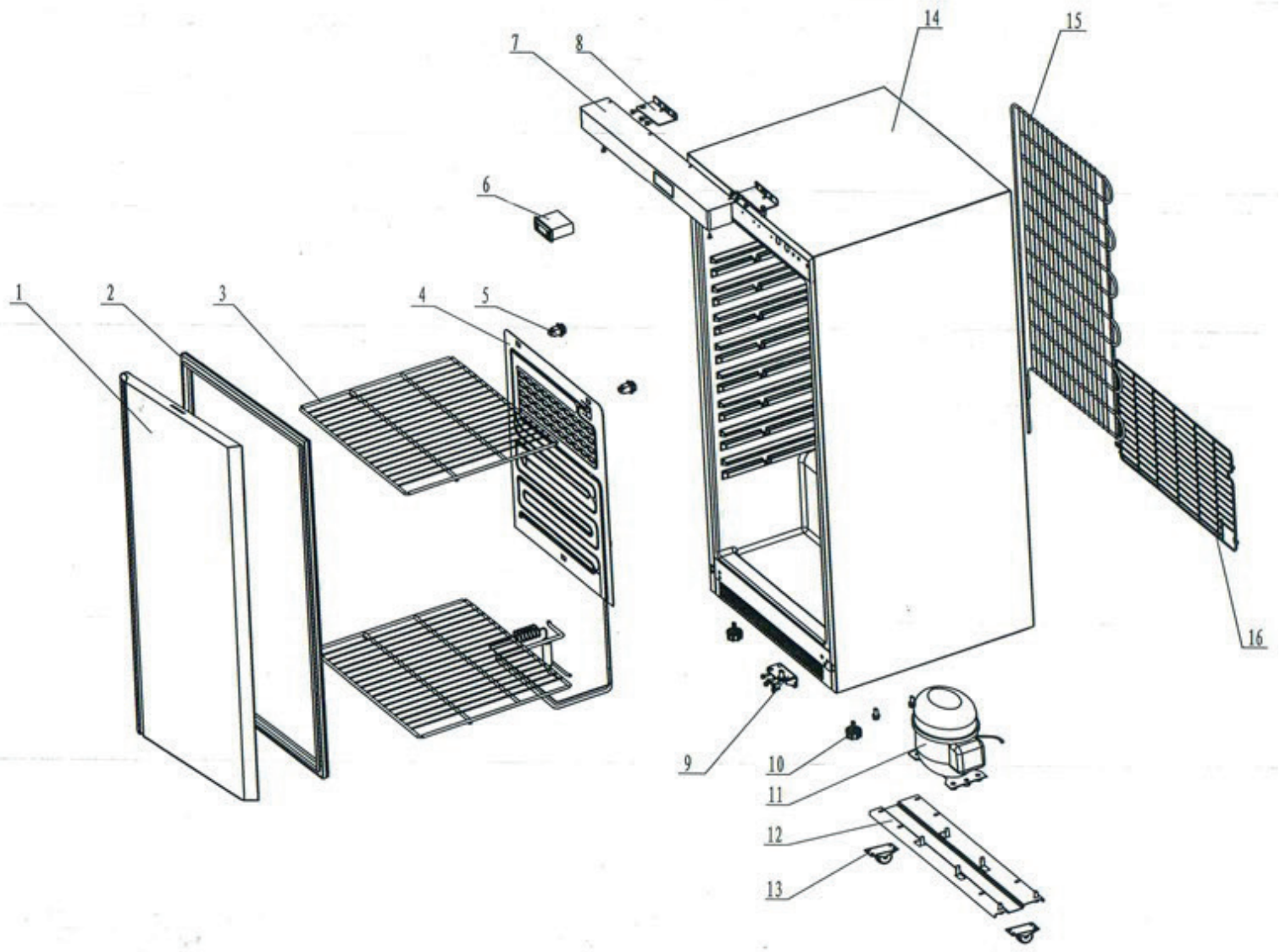


DR 200  
2020\_03



DR 200  
2020\_03

Pozice	Název	Kód	Počet
1	Foaming door	DR20.01	1
2	gasket	DR20.02	1
3	Shelf	DR20.03	3
4	Evaporator	DR20.04	1
5	Evaporator fix kit	DR20.05	5
6	controller		1
7	Front panel	DR20.07	1
8	Top hinge	DR20.08	2
9	Bottom hinge	DR20.09	1
10	Adjustable feet		2
11	compressor		1
12	Motor plate	DR20.10	1
13	Castor		2
14	Foaming body	DR20.11	1
15	condensor	DR20.12	1
16	Motor unit net	DR20.13	1