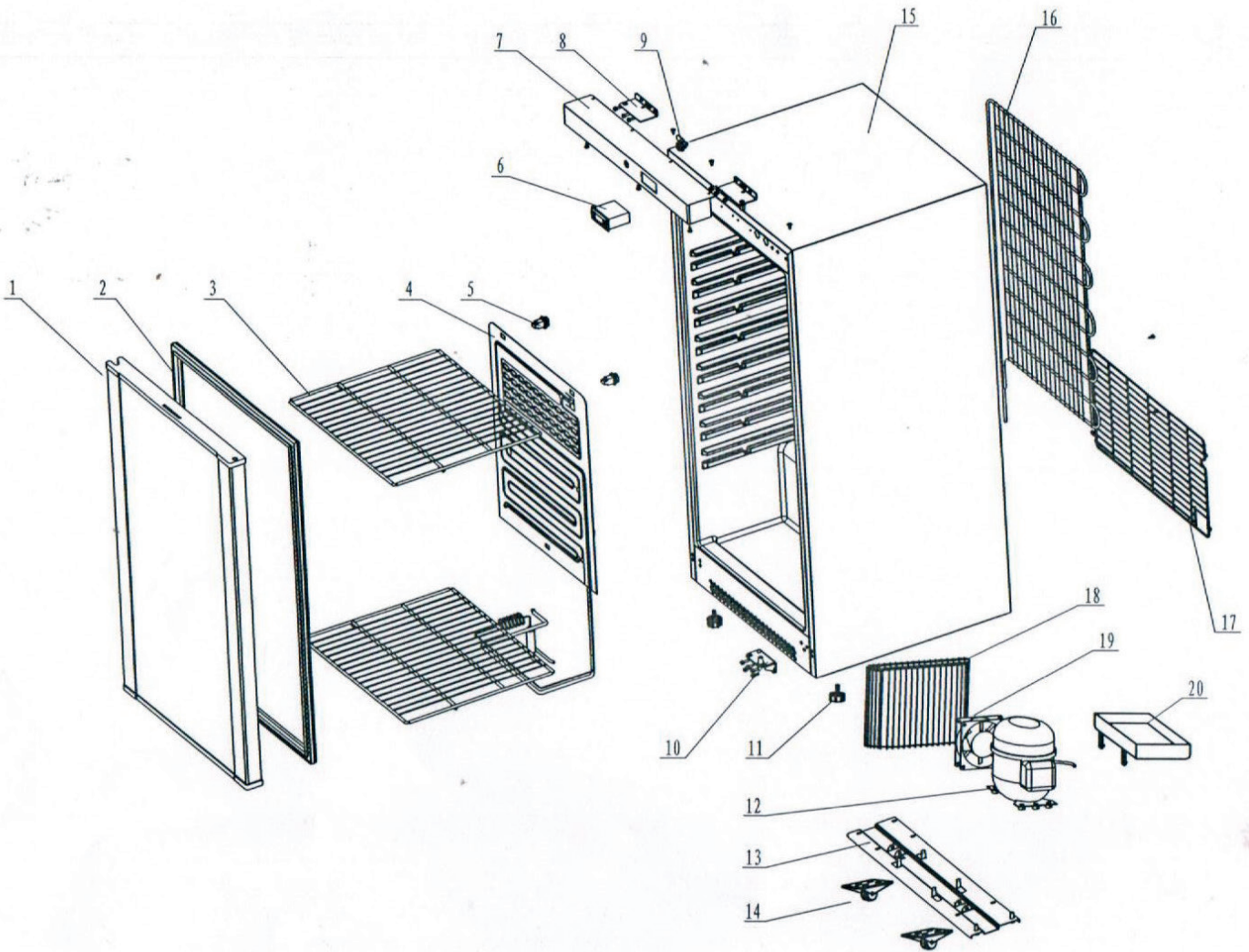


DR 400 S  
2020\_04



DR 400 S  
2020\_04

Pozice	Název	Kód
1	FOAMING DOOR	DR40.01
2	door gasket	DR40.02
3	shelves	DR20.03
4	evaporator	DR40.03
5	evaporator fixing end	DR20.05
6	SCREWS	
7	controller	
8	FAN COVER	DR20.06
9	FAN	
10	FRONT PANEL	DR20.07
11	TOP HINGE	DR20.08
12	bottom hinge	DR20.09
13	adjustable feet	
14	compressor EMBRACO NLL200A	
15	BOARD OF CONDENSER UNIT	DR20.10
16	small caster	
17	foaming body	DR40.04
18	Wire tube condenser	DR40.05
19	MOTER UNIT BACK NET	DR20.13